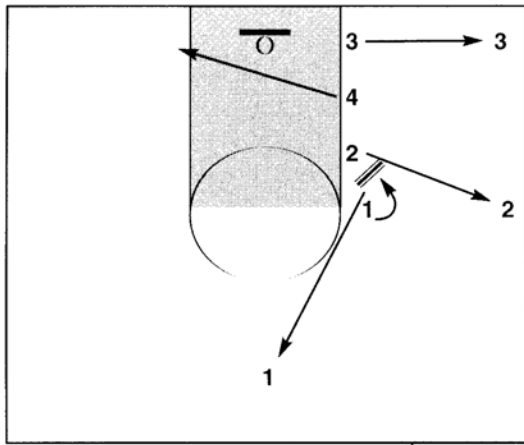


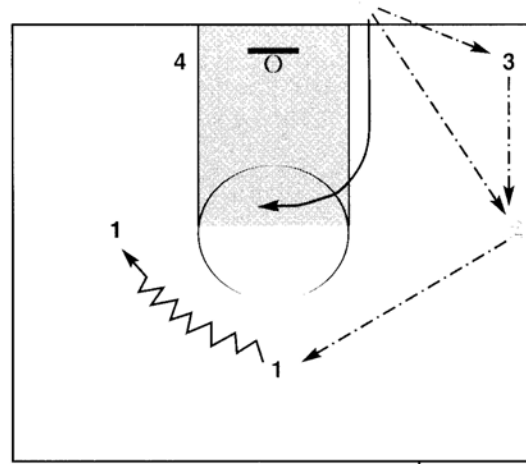
## (OUT OF BOUNDS PLAY: JAKUB (High))



NOTES:

FRAME 1

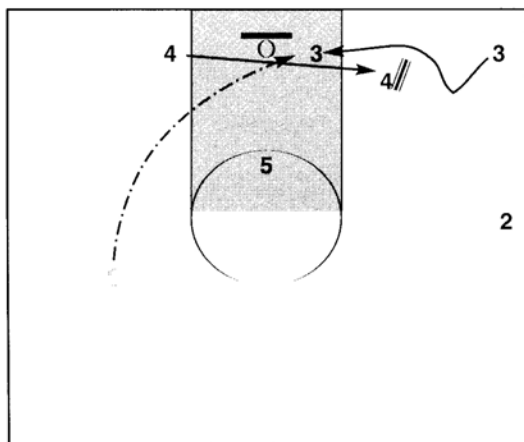
Play ran from either side of the court. 5 takes the ball out of bounds. 3 flashes to the ball side corner. 4 flashes to the opposite block looking for an easy entry from 5. 1 sneaks out-side of 2 to set a pick for 2 to pop out to the wing along the sideline. 1 then rolls up to the top of the key.



NOTES:

FRAME 2

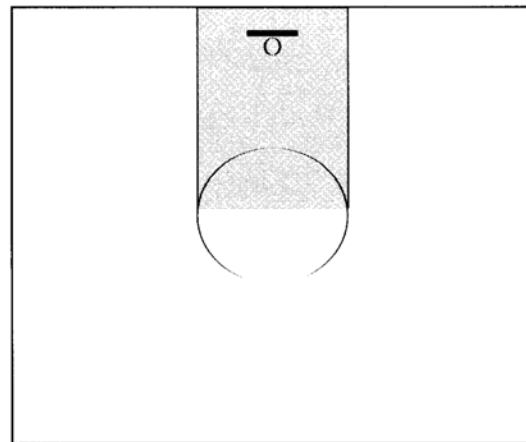
5 makes the entry pass to 2 (possibly 3 then to 2), 2 then passes up to the top of the key to 1. 1 dribbles over to the weak side of the floor. 5, after making the entry pass then follows the ball...mid/high post while 2 has the ball, then across the key parallel with 1.



NOTES:

FRAME 3

While 5 moves across the key with 1, he'll attract the defenders along the baseline. 3 hangs while 4 times his pick for 3. As 1 is receiving the pass from 2, 4 starts to move across to find his man to pick for 3 to receive the lob from 1 for an uncontested dunk or lay up. 5 must ask for the ball and bring the middle responsibility up to defend him for the lob to be open.



NOTES:

FRAME 4