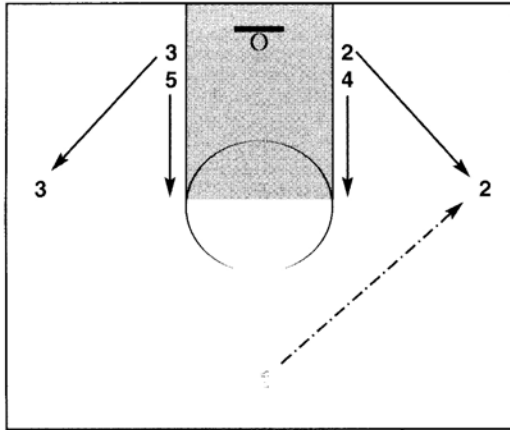


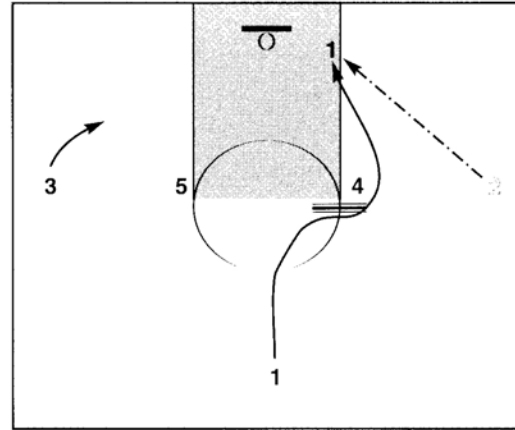
(Man-to-Man) OFFENSIVE PLAY: SNEAK HIGH



NOTES:

FRAME 1

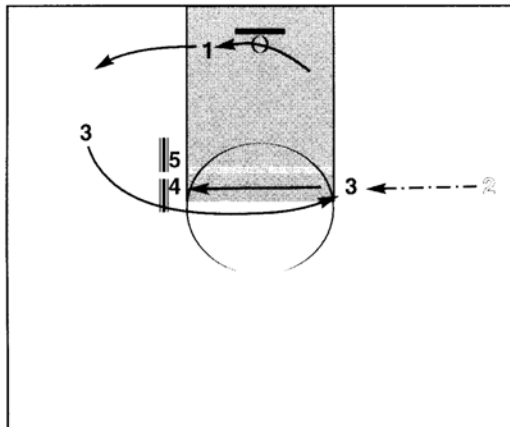
Play starts in a double stack. 4 and 5 set pick for 3 and 2 to get open on the wings for pass from 1. Play ran from either side of the court. 1 will kick the ball to one of the wings, 2, and 4 will then pop up to the elbow on the ball side. 5 also pops up to the elbow on his side.



NOTES:

FRAME 2

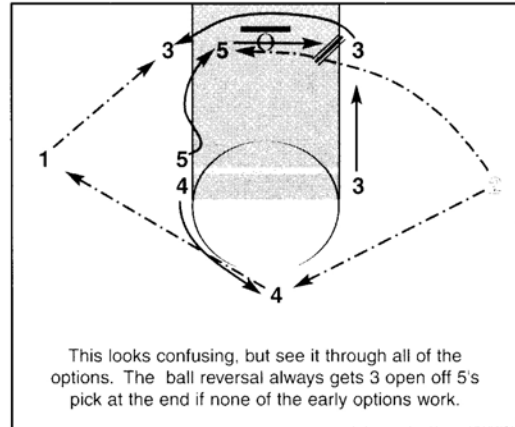
1 will set up his defender and run him off of 4's pick. Once 1 gets by 4, 3 will dip down as if going back door on his man to the basket misdirecting setting up a v-cut.



NOTES:

FRAME 3

1 will cross along the baseline to the opposite wing clearing out the right side of the key for 3. 3 misdirects not only set up his man for the pick, but to give 4 time to cross and 1 time for Option #1. 2 must utilize his dribble to create a passing angle for 3. 2 does have a 1-on-1 opportunity before 3 comes off the double pick. 3 will then v-cut off of a double pick at his elbow set by 5 and 4.



NOTES:

FRAME 4

This looks confusing, but see it through all of the options. The ball reversal always gets 3 open off 5's pick at the end if none of the early options work. 2 looks for 3 coming off the double pick for the easy score. 5 then seals off and posts hard looking for a lob on the weak side. 4 then rolls back up to the top of the key to provide a release for 2 if neither option is open. 1 will then pop out to left wing for ball reversal and 5 will then pick for 3 coming off the baseline. 2 - 4 - 1 - 3 for the score.